

# AccuForce 12V - 200Ah | VRLA Battery



## Specifications

Nominal Voltage	12 V		
Number of cells	6		
Design Life	10 years		
Dimensions	Length	522 mm	
	Width	238 mm	
	Height	218 mm	
	Total Height	221 mm	
Approx. Weight	57.0 kg		
Nominal Capacity (25°C)	20 hours rate (10.5 A, 10.8 V)	210 Ah	
	10 hours rate (20.0 A, 10.8 V)	200 Ah	
	5 hours rate (35.0 A, 10.5 V)	175 Ah	
	1 hour rate (124.0 A, 9.6 V)	124 Ah	
Max. Discharge Current (25°C)	1600 A (5s)		
Internal Resistance	3.0 mOhms		
Fully Charged battery (25°C)	3.0 mOhms		
Self-Discharge	3% of capacity declined per month at 20°C (average)		
Operating Temperature Range	Discharge	:-15°C~50°C	
	Charge	:-10°C~50°C	
	Storage	:-20°C~50°C	
Short Circuit Current	5420 A		
Charge Methods:	Cycle use	2.40-2.45 Vpc	
	Maximum charging current	60 A	
	Temperature compensation	-30 mV/°C	
	Standby use	2.23-2.27 Vpc	
Constant Voltage Charge (25°C)	Temperature compensation	-18 mV/°C	

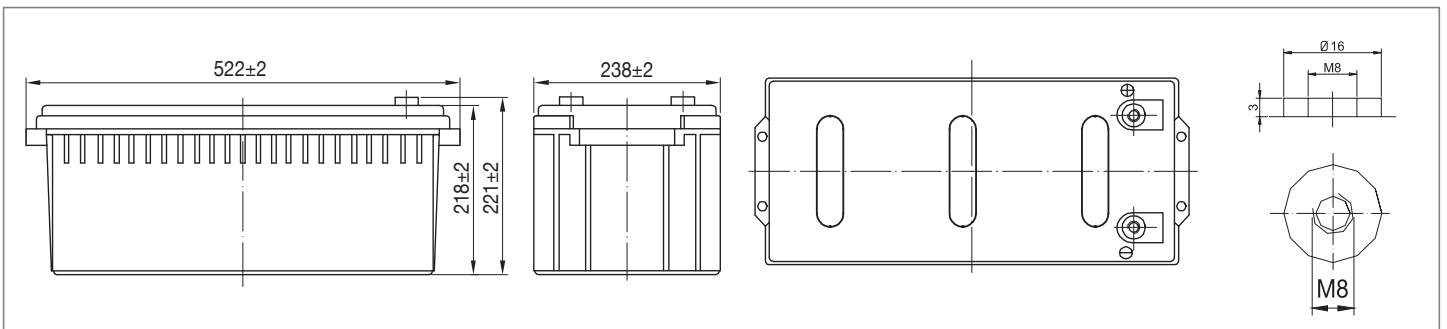
## Applications

- Uninterruptible Power Supplies (UPS)
- Electric Power Systems (EPS)
- Emergency backup power supplies
- Electronic apparatus and equipment
- Communication power supplies
- DC power supplies
- Auto control system

## Battery Construction

Component	Positive Plate	Negative Plate	Container	Cover	Safety Valve	Terminal	Separator	Electrolyte
Raw material	Lead dioxide	Lead	ABS	ABS	Rubber	Copper	Fiberglass	Sulfuric acid

## Dimensions



## Constant Current Discharge (Amperes) at 25°C

End Voltage (Volts/Cell)	10min	15min	30min	1h	2h	3h	4h	5h	6h	8h	10h	20h
1.60 V	394	330	200	124	73.1	51.0	41.8	35.7	31.2	24.5	20.4	10.7
1.65 V	382	322	196	122	72.6	50.7	41.6	35.5	31.0	24.3	20.3	10.7
1.70 V	366	310	190	119	72.0	50.4	41.3	35.2	30.8	24.2	20.3	10.6
1.75 V	350	300	185	117	70.9	50.0	41.0	35.0	30.6	24.0	20.1	10.6
1.80 V	331	284	179	113	69.1	48.5	39.8	34.0	29.7	23.3	20.0	10.5

## Constant Power Discharge (Watts) at 25°C

End Voltage (Volts/Cell)	10min	15min	30min	1h	2h	3h	4h	5h	6h	8h	10h	20h
1.60 V	4253	3623	2244	1414	846	600	492	422	369	291	243	128
1.65 V	4125	3536	2199	1392	841	596	489	419	367	289	243	128
1.70 V	3955	3406	2132	1357	834	592	486	417	364	287	242	128
1.75 V	3785	3290	2080	1330	821	588	482	414	362	285	240	127
1.80 V	3573	3116	2004	1289	800	570	468	401	351	277	239	126

(Note) The above characteristics data are average values obtained within three charge/discharge cycles not the minimum values.