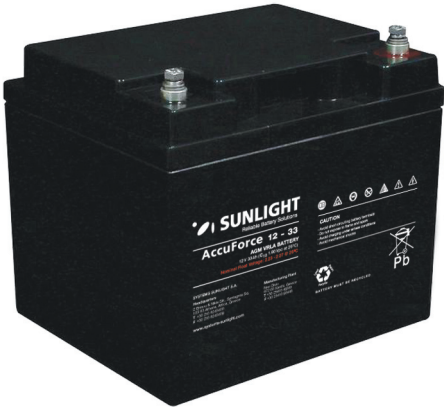


AccuForce 12V - 33Ah | VRLA Battery



Applications

- Uninterruptible Power Supplies (UPS)
- Electric Power Systems (EPS)
- Emergency backup power supplies
- Electronic apparatus and equipment
- Communication power supplies
- DC power supplies
- Auto control system

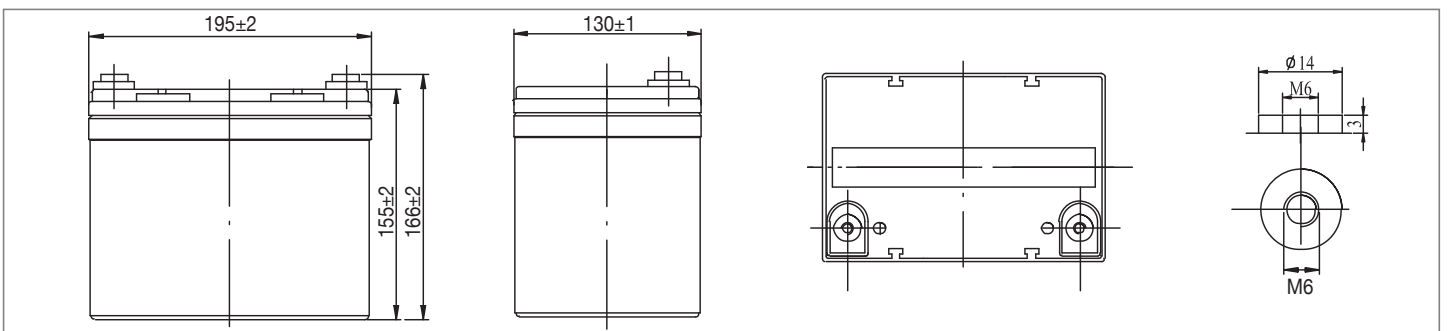
Specifications

Nominal Voltage	12 V	
Number of cells	6	
Design Life	10 years	
Dimensions	Length	195 mm
	Width	130 mm
	Height	155 mm
	Total Height	166 mm
Approx. Weight	9.2 kg	
	20 hours rate (1.73 A, 10.8 V)	34.6 Ah
Nominal Capacity (25°C)	10 hours rate (3.30 A, 10.8 V)	33.0 Ah
	5 hours rate (5.78 A, 10.5 V)	28.9 Ah
	1 hour rate (20.50 A, 9.6 V)	20.5 Ah
	Max. Discharge Current (25°C)	330 A (5s)
Internal Resistance	10 mOhms	
Fully Charged battery (25°C)	3% of capacity declined per month at 20°C (average)	
Self-Discharge	Discharge	-15°C~50°C
	Charge	-10°C~50°C
	Storage	-20°C~50°C
Operating Temperature Range	924 A	
	Short Circuit Current	924 A
Charge Methods:	Cycle use	2.40-2.45 Vpc
	Maximum charging current	9.9 A
	Temperature compensation	-30 mV/°C
	Constant Voltage Charge (25°C)	2.23-2.27 Vpc
Standby use	Temperature compensation	
	-18 mV/°C	

Battery Construction

Component	Positive Plate	Negative Plate	Container	Cover	Safety Valve	Terminal	Separator	Electrolyte
Raw material	Lead dioxide	Lead	ABS	ABS	Rubber	Pb	Fiberglass	Sulfuric acid

Dimensions



Constant Current Discharge (Amperes) at 25°C

End Voltage (Volts/Cell)	10min	15min	30min	1h	2h	3h	4h	5h	8h	10h	20h
1.60 V	69.3	54.5	33.0	20.5	12.1	8.42	6.90	5.89	4.04	3.36	1.76
1.65 V	67.2	53.1	32.3	20.2	12.0	8.37	6.86	5.86	4.02	3.35	1.76
1.70 V	64.4	51.2	31.4	19.6	11.9	8.31	6.81	5.82	3.99	3.34	1.76
1.75 V	61.7	49.4	30.6	19.3	11.7	8.25	6.77	5.78	3.96	3.32	1.74
1.80 V	58.2	46.8	29.5	18.7	11.4	8.00	6.56	5.60	3.84	3.30	1.73

Constant Power Discharge (Watts) at 25°C

End Voltage (Volts/Cell)	10min	15min	30min	1h	2h	3h	4h	5h	8h	10h	20h
1.60 V	748	598	370	233	140	99.0	81.1	69.6	48.0	40.1	21.2
1.65 V	726	584	363	230	139	98.4	80.7	69.2	47.7	40.0	21.1
1.70 V	696	562	352	224	138	97.7	80.1	68.7	47.4	39.9	21.1
1.75 V	666	543	343	219	136	97.0	79.6	68.3	47.0	39.7	20.9
1.80 V	629	514	331	213	132	94.1	77.2	66.2	45.6	39.4	20.8

(Note) The above characteristics data are average values obtained within three charge/discharge cycles not the minimum values.