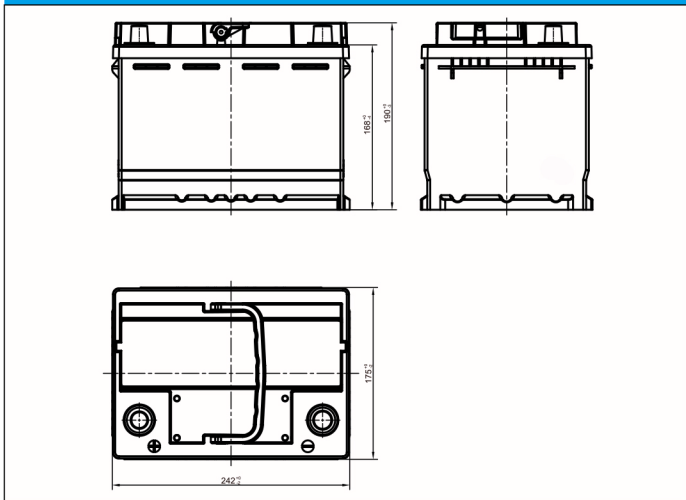


56231[12V62Ah]



Dimensions (mm)



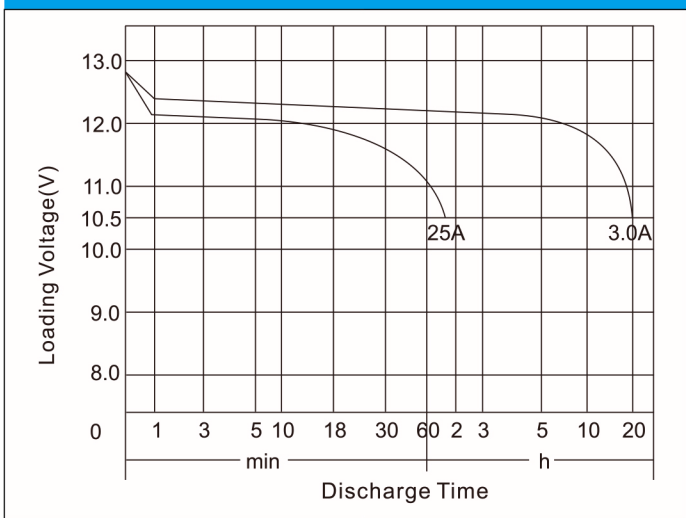
Physical Specification (mm)

Nominal Voltage		12V
Nominal Capacity(20HR)		62Ah
Dimension	Length	242 +0/-2mm(9.53inches)
	Width	175 +0/-2mm(6.89inches)
	Container Height	190 +0/-3mm(7.48inches)
	Total Height(with Terminal)	190 +0/-3mm(7.48inches)
Weight		Approx14.2Kg(31.31lbs)
Acid		1.280±0.015g/cm ³ (25°C)
Standard Terminal		1
Cell layout		1
Hold-Down		B13
Cell plate qty		/
Case		Gray-PP Material
Cover		Gray-PP Material
Handle		Gray-PP Material
QTY/PLT/layer		/

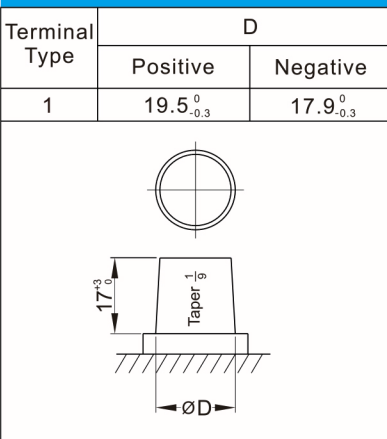
Electrical Specification

Rated Capacity	20 hour rate(3.0A)	62Ah
Reserve Capacity		98min
Cold Cranking Performance Amps@0°F(-18°C)		550A

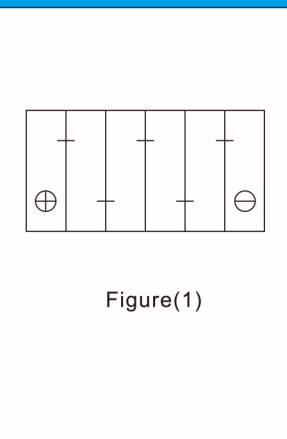
Discharge Characteristics(25°C,77°F)



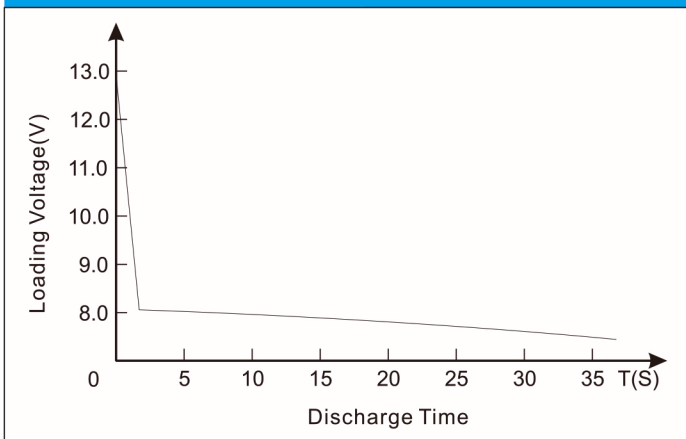
Standard Terminal (mm)



Cell Layout



Discharge Characteristics(-18°C,0°F)



*Values are subject to variation of +/- 5% in normal manufacturing processes.
 *Technical specifications and the product line above could be changed without prior notice.