

INCOMPARABLE DEEP CYCLE AGM BATTERY

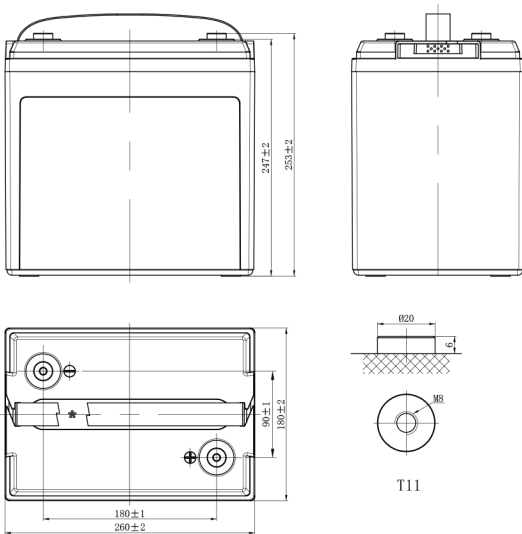


LDC6-224-GC2 (6V224Ah)



CHARACTERISTICS

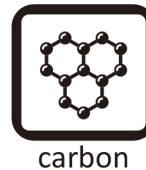
Item	Specifications	
Voltage	6V	
Dimension	Length	260mm (10.2inches)
	Width	180mm (7.09inches)
	Container Height	247mm (9.72inches)
	Total Height	253mm (9.96inches)
Approx Weight	30.5kg (67.2lbs)	
Terminal	T11(M8)	
Container Material	ABS	
Reserve Capacity	25A	490min
	56A	188min
	75A	135min
Capacity	20HR	224Ah
	5HR	192Ah
Operating Temp. Range	Discharge	-20~55°C (-4~131°F)
	Charge	0~40°C (32~104°F)
	Storage	-15~40°C (5~104°F)



APPLICATIONS

- Electric vehicle
- Golf cart
- Sightseeing
- Cleaning equipment
- AWP
- Mobility

Note: Terminal Torque Values in-b(Nm):97.28-130.0(11-14.7)



INCOMPARABLE DEEP CYCLE AGM BATTERY

LDC6-224-GC2 (6V224Ah)

GENERAL FEATURES

Stable initial capacity

- PAM/NAM amount optimization
- 4BS crystal paste mixing & curing technology
- Double layer separator technology
- Improved design electrolyte S.G.

Less water loss

- PAM/NAM amount optimization
- New PAM/NAM recipe introduced
- Rare earth alloy

Solve NAM sulphation

- Carbon boost technology
- Pre-sulfate technology

Improved PSoC cycling

- Carbon boost technology
- Mix carbon boost technology
- Targeting for higher level through carbon technology

Delay PAM softening and shedding

- Plate assembly pressure re-engineering
- 4BS crystal paste mixing & curing technology
- Higher paste density

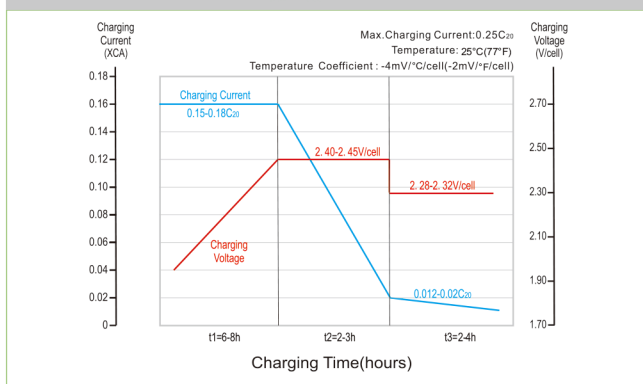
Excellent deep cycle performance

- Plate assembly pressure re-engineering
- New PAM/NAM recipe introduced
- Gel electrolyte technology
- Rare earth alloy
- Double layer separator technology
- Lower acid filling temperature

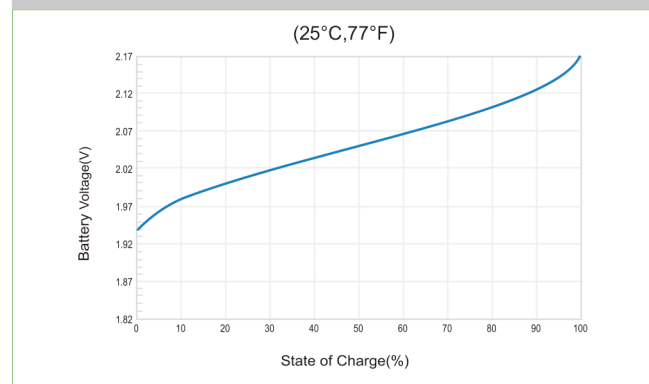
Optimize electrolyte stratification

- Introduce AGM-GEL technology

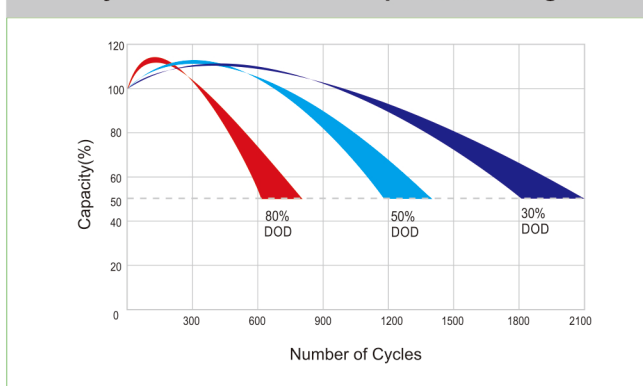
Charging Profiles



Relationship of OCV and State Of Charge



Cycle Life in Relation to Depth Of Discharges



Self-discharge Characteristics

