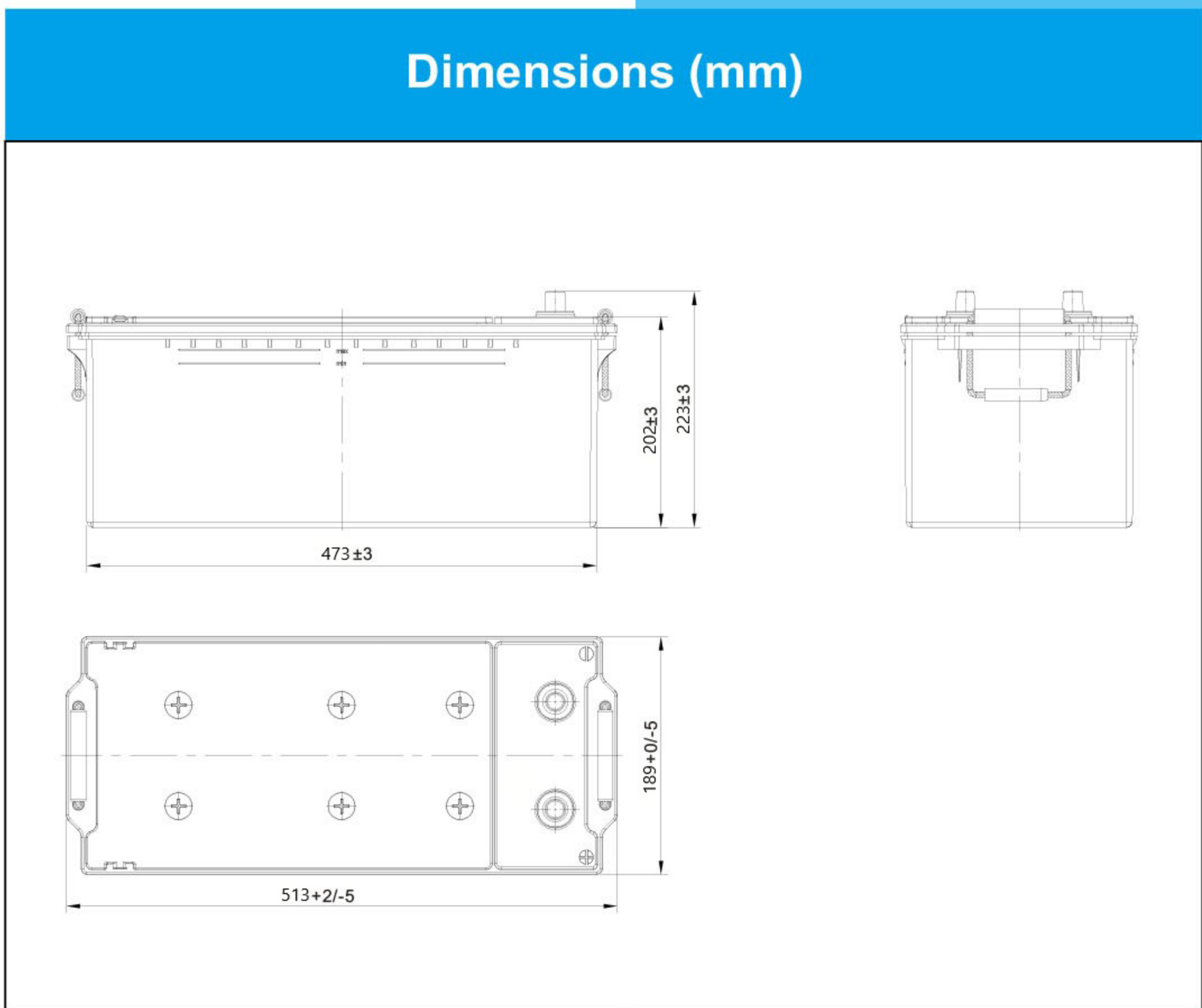


MF-A [12V140Ah]

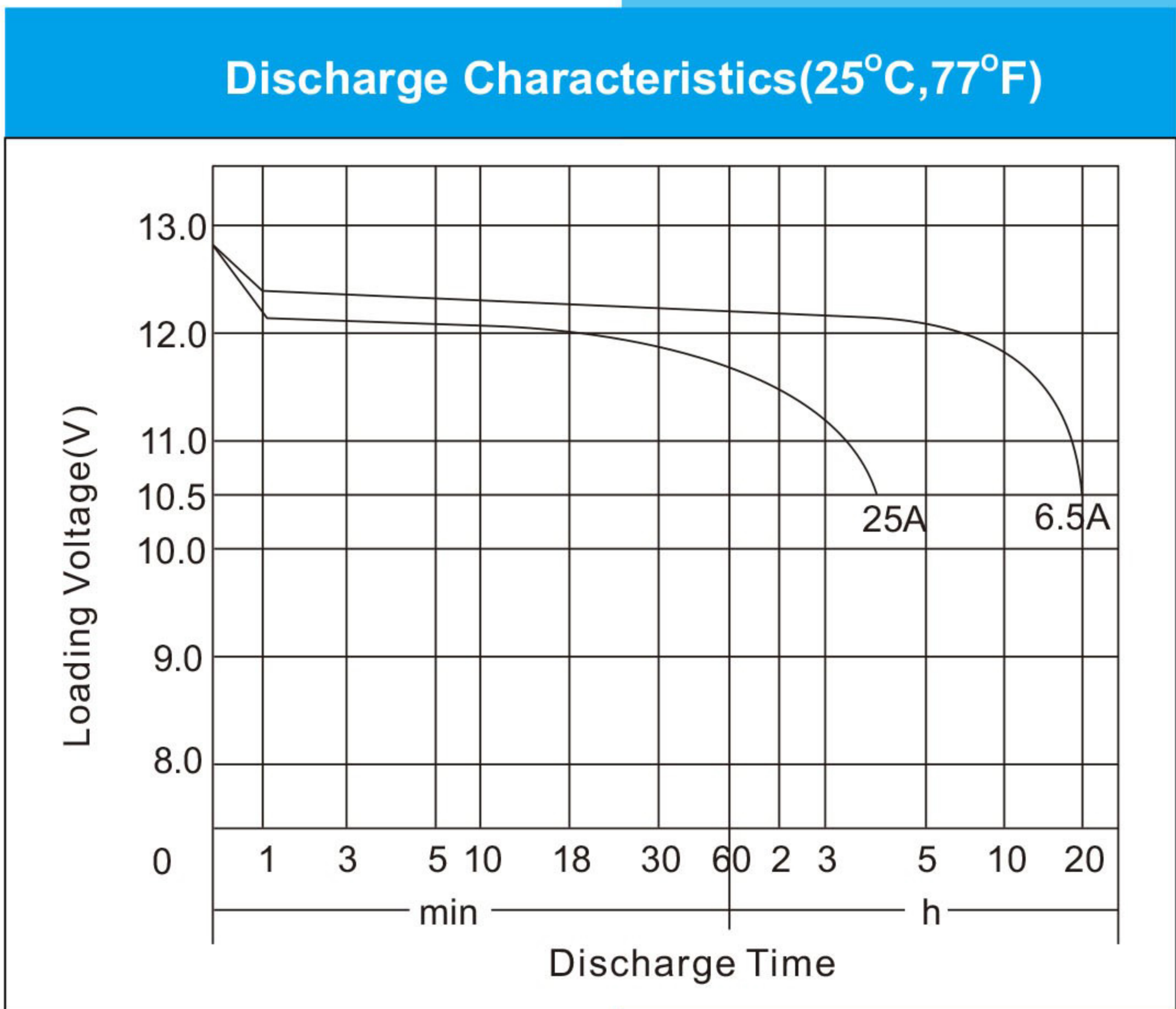


Physical Specification (mm)

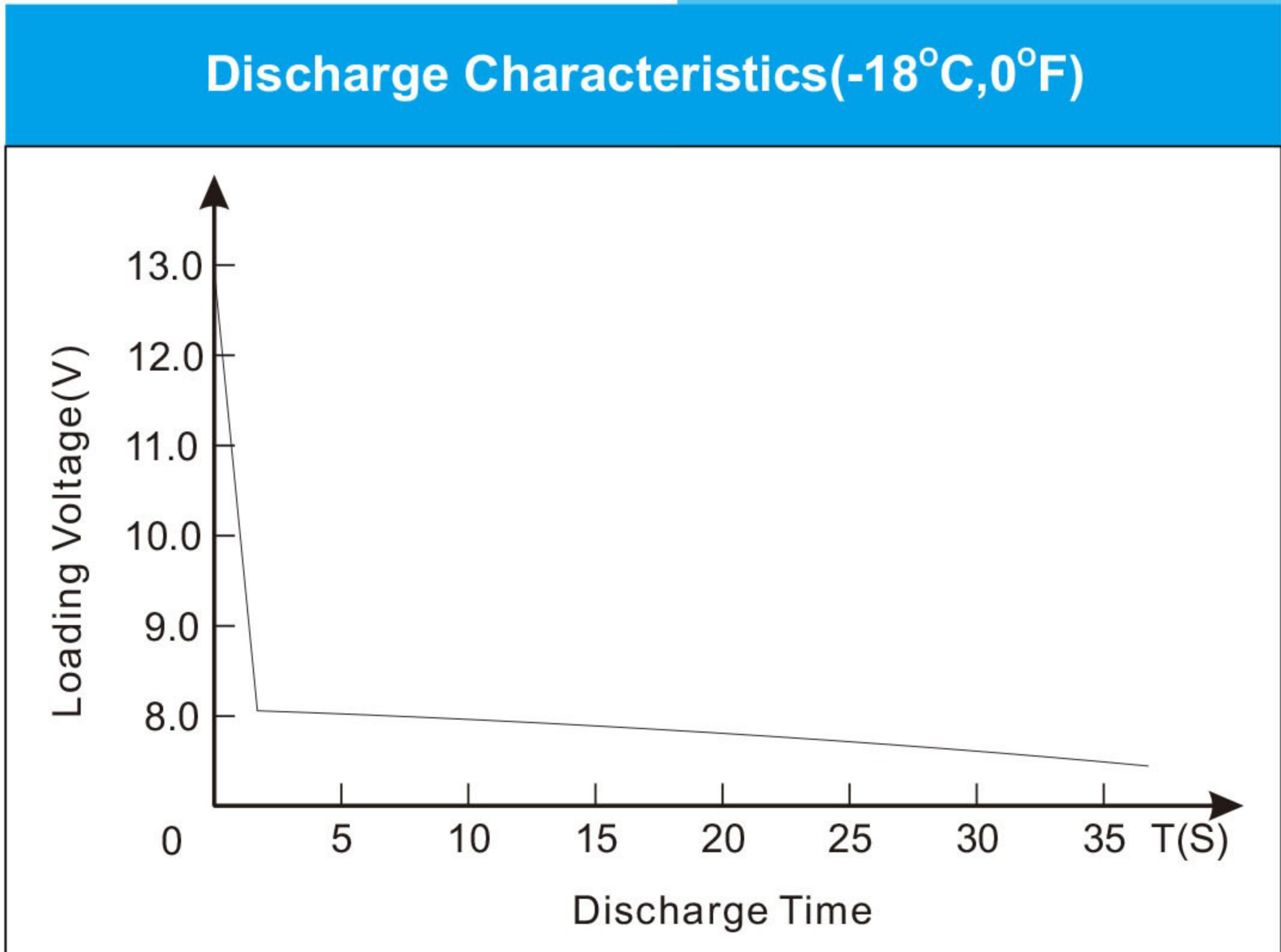
| | | |
|------------------------|-------------------------------------|-------------------------|
| Nominal Voltage | 12V | |
| Nominal Capacity(20HR) | 140Ah | |
| Dimension | Length | 513+2/-5mm(20.08inches) |
| | Width | 189+0/-5mm(8.74inches) |
| | Container Height | 202±3mm(7.72inches) |
| | Total Height(with Terminal) | 223±3mm(8.54inches) |
| Weight | Approx34.1Kg(75.18lbs) | |
| Acid | 1.280±0.015g/cm ³ (25°C) | |
| Standard Terminal | 1 | |
| Cell layout | 3 | |
| Hold-Down | B0 | |
| Cell plate qty | / | |
| Case | Black-PP Material | |
| Cover | Black-PP Material | |
| Handle | Black-PP Material | |
| QTY/PLT/layer | / | |

Electrical Specification

| | | |
|---|--------------------|--------|
| Rated Capacity | 20 hour rate(6.5A) | 140Ah |
| Reserve Capacity | | 245min |
| Cold Cranking Performance Amps@0°F(-18°C) | | 800A |



| Standard Terminal (mm) | | Cell Layout |
|------------------------|-----------------------------------|-----------------------------------|
| Terminal Type | D | |
| | Positive | Negative |
| 1 | 19.5 ⁰ _{-0.3} | 17.9 ⁰ _{-0.3} |
| | | <p>Figure(3)</p> |



*Values are subject to variation of +/- 5% in normal manufacturing processes.
 *Technical specifications and the product line above could be changed without prior notice.